

NVR

4/8 CH PoE NVR

6MP/5MP/4MP/3MP/1080P/720P HD NVR



TD-3004H1-4P-B1-B

TD-3008H1-8P-B1-B



HD Output



HD IPC



DDNS



Network



PTZ



Audio



Mobile



CMS



USB



Mouse



E-mail



STD



VCA

This series supports 4/8 CH 6MP/5MP/4MP/3MP/1080P/960P/720P high definition IP video input, which adopts the advanced SOC technique to ensure high definition recording in each channel and realize outstanding robustness of the system.

This series integrates with 4/8 PoE network ports , simultaneous 4/8 CH playback, and 1080P high definition display. The series of product can meet different security requirements of home, financial, commerce, enterprise, transportation and government, etc.



en.tvt.net.cn

For more information, please visit our website

Shenzhen TVT DIGITAL TECHNOLOGY CO., LTD.

Address: 23rd Floor, Block B4, Building NO.9, Shenzhen Bay Eco-Technology Park, Nanshan District, Shenzhen, Guangdong Province, P.R.China

Tel: +86-755-36995888

Web site: <http://en.tvt.net.cn>

Fax: +86-755-33104777

E-mail: overseas@tvt.net.cn

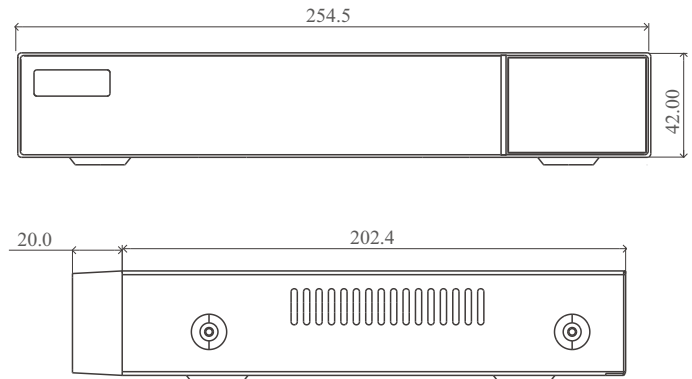
Specifications

Model		TD-3004H1-4P-B1-B	TD-3008H1-8P-B1-B
System	OS	Embedded Linux	
Video	Network Input	4 CH IPC input	8CH IPC input
	Network Input Resolution	6MP/5MP/4MP/3MP/1080P/960P/720P/D1/CIF	
	Output	HDMI × 1 : 1920 × 1080 / 1280 × 1024 / 1024 × 768 VGA: 1920 × 1080 / 1280 × 1024 / 1024 × 768 HDMI and VGA output the same video source	
	Compression	H.265S / H.265+ / H.265 / H.264	
	Multi-screen Display	1 / 4	1 / 4 / 6 / 8 / 9
Audio	Network Input	4 CH IPC audio input	8 CH IPC audio input
	Local Input	No	
	Local Output	No (HDMI supports the audio output)	
	Compression	G.711(U/A)	
Record	Resolution	6MP/5MP/4MP/3MP/1080P/960P/720P/D1/CIF	
	Frame Rate	30fps/25fps(NTSC/PAL)	
Playback	Simultaneous Playback	Max. 4 CH	Max. 8 CH
	Search	Time slice / time / event / tag / smart search	
	Smart Search	Highlighted color to display the camera record in a certain period of time, different colors refers to different record events	
	Function	Play, pause, FF, FB, digital zoom, etc.	
Decoding Capability	Live View/ Playback	1CH 6MP; 4CH 1080P	
Alarm	Type	Manual, sensor, motion, exception, smart events, etc.	
	Input	No	
	Output	No	
	Triggering	Record, snapshot, buzzer, preset, e-mail, etc.	
Network	Interface	RJ 45 100Mbps × 1	
	Protocol	TCP / IP, HTTP, HTTPS, 802.1, DHCP, DDNS, RTP, RTSP, RTCP, NTP, UPnP, SMTP, IPv6, IPv4, UDP, WebSocket, PPPoE, SNMP, IGMP, ONVIF, etc.	
	Incoming/ Outgoing Bandwidth	40/64 (Mbps)	64/64 (Mbps)
		*When the AI function of the IPC is enabled, the actual incoming bandwidth(max. bitrate) is more than the set value in the NVR.	
	Client Connection	Max. 64 users access	
Plate Detection	Plate Detection (AI by IPC)	Yes	
Mobile Device	OS	iOS, Andriod	
Storage	HDD Interface	SATA3.0 × 1, max 10T	
Backup	Local Backup	USB flash drive	
	Network Backup	Yes	
Port	USB	USB 2.0 × 2	
	Remote Controller	No	
PoE	PoE Ports	100M RJ45 × 4	100M RJ45 × 8
	Standards	IEEE802.3AF/AT	
	Output Power	≤ 40W	≤ 72W
Others	Power Supply	DC 48V/1.25A	DC 48V/1.8A
	Consumption	≤ 5W (without HDD, and PoE off)	
	Dimensions (mm)	255 × 222 × 42 (W × D × H)	
	Working Environment	-10 ~ 50 °C , 10% ~ 90% humidity	
	Certificate	CE, FCC	
	Environmental Protection	Complies with Directive EU RoHS, REACH and WEEE	

Features

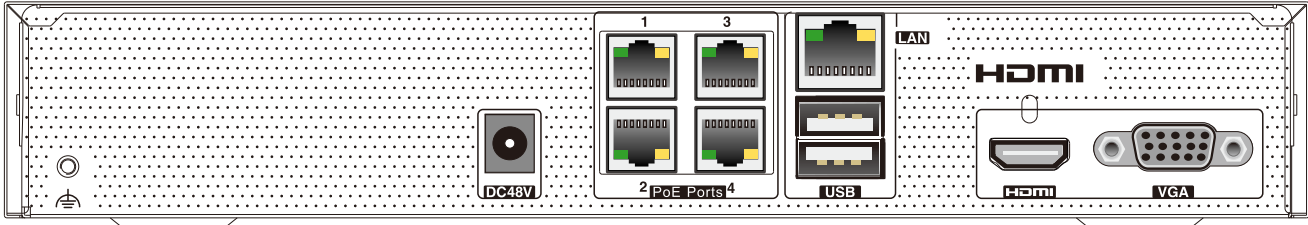
- Support 4/8 CH 6MP/5MP/4MP/3MP/1080P/ 960P/720P/960H/ D1/CIF IP video input
- H.265S/H.265+/H.265/H.264 coding
- Intuitive and user-friendly Graphic User Interface (GUI), Windows style operation by mouse
- Multi-type recording: manual / timed / motion / sensor / POS / AI recording
- Playback : 4 /8CH simultaneous playback
- Search : time slice, time, event, tag, smart search
- Support multiple VCA (Video Content Analytics) events, such as object abandoned/missing, region intrusion, tripwire, video exception, crowd density, etc.
- Support POS information overlay on live view and playback
- Express and flexible backup via USB, network and so on
- Support preview, record, playback, backup and remote access
- DHCP, DDNS, PPPoE network protocol
- 4/8 PoE network ports; IPCs can be directly connected to NVR; PoE power supply supported
- Remote control via Web Client or CMS : preview, playback, backup, PTZ and configuration
- Dual stream technology for local storage with high definition, remote network transmission and remote surveillance with mobile device
- Authorization management, log view and device status view
- 1080P HD output, true high resolution display
- Support NAT function and QRCode scanning by mobile phones
- Powerful mobile surveillance by smart phones with iOS and Android OS

Dimensions



Rear Panel

TD-3004H1-4P-B1-B



TD-3008H1-8P-B1-B

